

EVOCHARGE[®]

Credit Card Payment Kiosk

User Installation Guide

Revision A



Maintenance and Safety:

IMPORTANT SAFETY INSTRUCTIONS - PLEASE DO NOT DISCARD THESE INSTRUCTIONS

READ THE INSTRUCTIONS COMPLETELY. FAILURE TO FOLLOW INSTALLATION INSTRUCTIONS MAY RESULT IN PROPERTY DAMAGE, INJURY, OR DEATH. THE MANUFACTURER ASSUMES NO LIABILITY FOR CLAIMS RESULTING FROM THIS.

DANGERS, WARNINGS, CAUTIONS, AND NOTICES ARE DEFINED PER ANSI Z535



DANGER: TO AVOID FIRE, SHOCK, OR DEATH: TURN OFF POWER AT CIRCUIT BREAKER OR FUSE AND TEST THAT POWER IS OFF BEFORE WIRING



WARNING: ELECTRIC SHOCK: NO OPERATOR SERVICEABLE PARTS INSIDE. REFER SERVICING TO QUALIFIED PERSONNEL



WARNING: VERIFY WITH LOCAL AUTHORITIES THAT THE LOCATION WHERE THE KIOSK IS TO BE INSTALLED IS FREE FROM UNDERGROUND PIPELINES OR ELECTRICAL EQUIPMENT



WARNING: DO NOT USE THIS PRODUCT IF INPUT POWER WIRES IS FRAYED, BROKEN INSULATION, OR ANY OTHER SIGNS OF DAMAGE



CAUTION: THE ELECTRICAL VEHICLE SUPPLY EQUIPMENT (EVSE) KIOSK MUST BE WIRED PER THE NATIONAL ELECTRICAL CODE (NEC) AND LOCAL CODES



CAUTION: THE EVSE CHARGING STATION AND ELECTRICAL WIRING SHOULD BE INSTALLED BY AN ELECTRICIAN IN ACCORDANCE WITH THE LOCAL ELECTRICAL CODES AND REGULATIONS



CAUTION: GROUNDING: TO ENSURE THE SAFE OPERATION OF THE KIOSK, IT MUST BE CONNECTED TO A GROUNDING CIRCUIT COMPLIANT WITH LOCAL BUILDING CODES



CAUTION: HANDLE PARTS WITH CARE. ALWAYS USE PROPER PERSONAL PROTECTIVE EQUIPMENT (PPE) DURING THE INSTALLATION

NOTICE

RUN DEDICATED BRANCH CIRCUITS (ONE BREAKER PER EVSE CHARGING STATION), AS PER NEC 625 AND LOCAL BUILDING CODES

NOTICE

WHEN MOUNTING THE KIOSK IN PARKING SPACES OR PARKING GARAGES, APPROPRIATE ANTI-COLLISION PROTECTION MUST BE INSTALLED. REFERENCE LOCAL BUILDING CODES

NOTICE

TO ENSURE THAT THE EVSE CHARGING STATION AND KIOSK ARE INSTALLED PER AMERICANS WITH DISABILITIES ACT (ADA) STANDARDS FOR ACCESSIBLE DESIGN GUIDELINES, REFER TO CODE OF FEDERAL REGULATIONS DOCUMENT 28 CFR PART 36, SECTIONS 4.2 AND 4.4

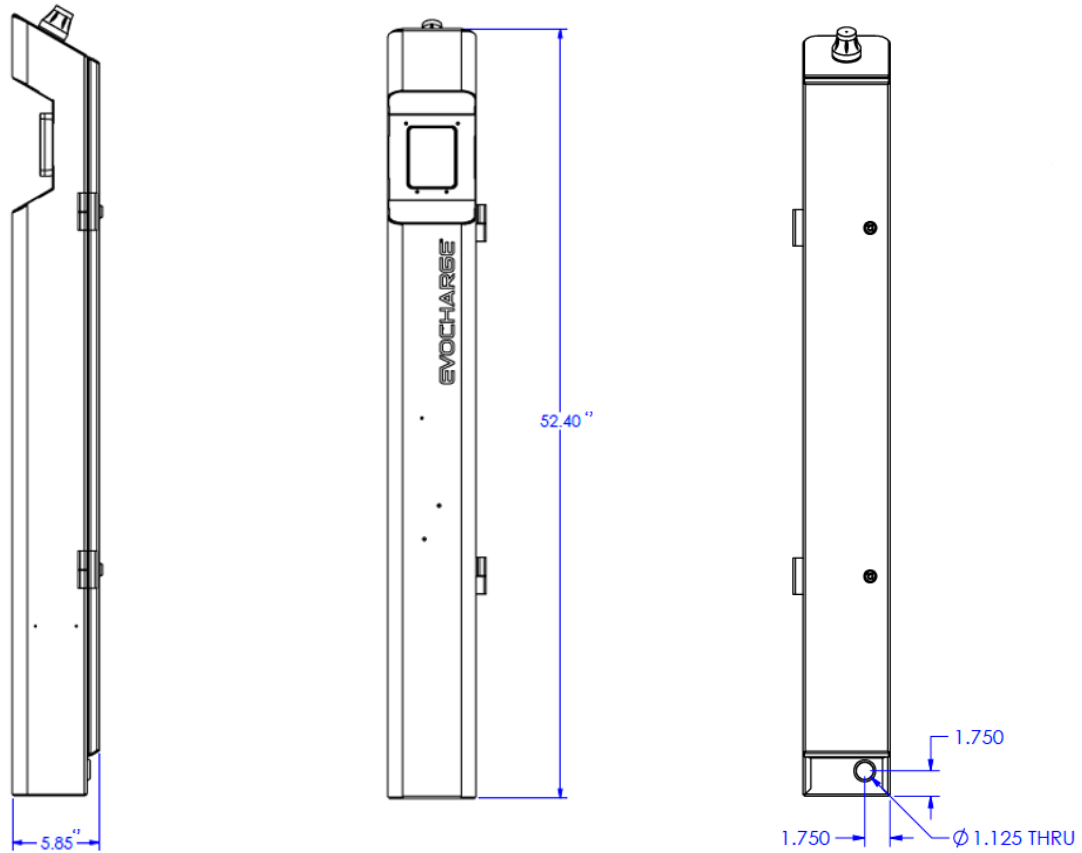
NOTICE

IF YOU HAVE QUESTIONS ABOUT THE INSTALLATION, CONTACT EVOCHARGE TECHNICAL SUPPORT. IF YOU ARE UNSURE ABOUT A PROCEDURE DO NOT ATTEMPT TO PERFORM IT

NOTICE

THIS INSTALLATION INSTRUCTIONS SOLELY FOR THE KIOSK. DEPICTIONS OF THE EVOCHARGE EVSE ARE FOR REFERENCE ONLY. REFER TO THE EVOCHARGE EVSE INSTALLATION MANUAL INCLUDED WITH CHARGER UNIT OR AVAILABLE ON EVOCHARGE.COM

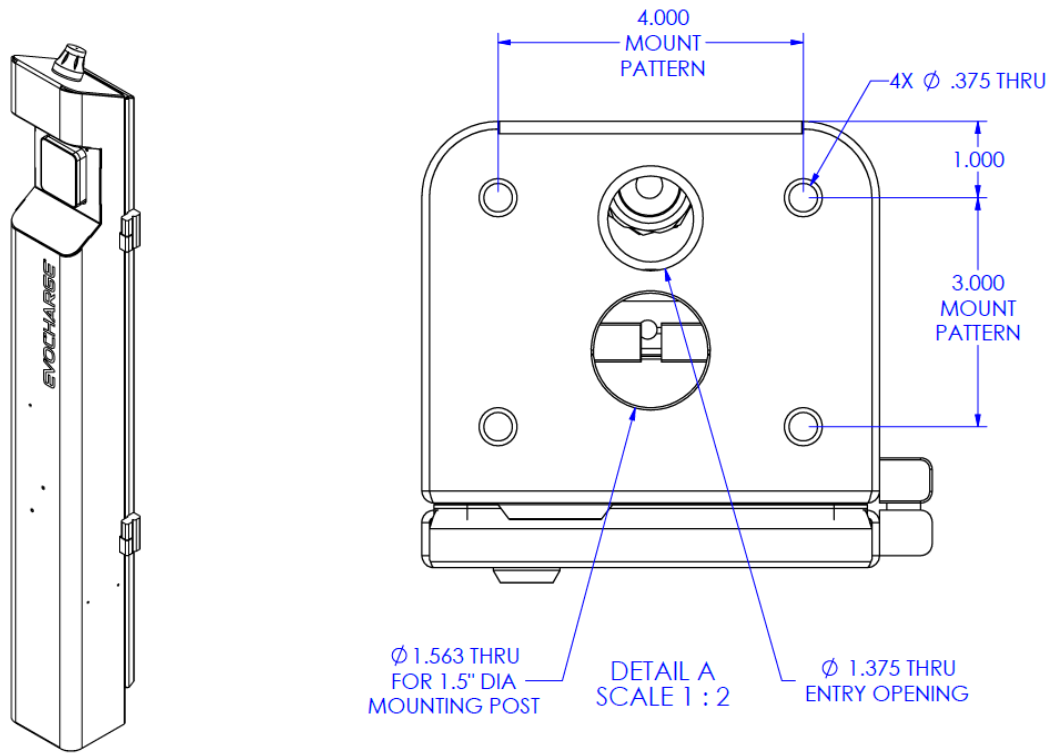




Technical Data and Specifications

Standards and Certifications:

Description	Specification
Weight	
Kiosk	17 lbs. [7.7kg]
Enclosure	
Material	Aluminum
Approximate Dimensions	
Height x Width x Depth	52.4 in. [1331 mm] x 5.85 in. [148.6 mm] x 6 in. [152.4 mm]
Wall Thickness	0.125 in. [3 mm]
Distance Between Center of Mounting Holes	4 in. [101.6 mm] x 3 in. [76.2 mm]



See base view in Fig. 1

Fig. 1: Base Dimensions

Required Tools (Not Included): Flathead screwdriver, ¼ inch Socket/Ratchet and ½ inch wrench.

Additional Parts Required (Not Included): Stainless Steel Anchor Bolts, Stainless Steel Hex Nuts and Washer, Silicone Sealant, 1.5-inch cylindrical mounting post and the needed mounting hardware (optional).

Kiosk Installation

Anchor and Conductor Installation:

Install stainless steel L or J type anchor bolts with a diameter no greater than 1/4 inch into the mounting surface Fig 2. Reference Fig. 3 for bolt spacing.

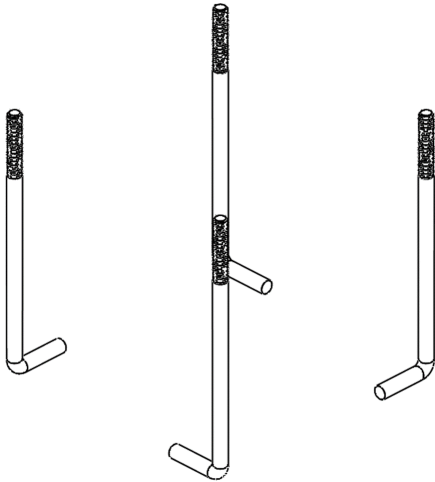


Fig. 2: Concrete Anchors Configuration

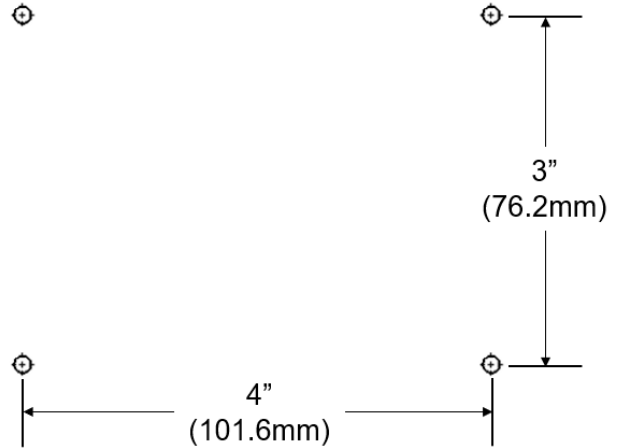


Fig. 3: Bolt Spacing

The requirements below are the manufacturer’s minimum recommendations only. The location, dimensions, and composition of the concrete pad for supporting the kiosk should always comply with local building codes.

Use an electrical conduit of the appropriate size to bring the 14AWG 120V cable to align with the base entry opening in Fig. 1. Pull conductors from the service equipment to the kiosk installation site, leaving 5 feet of wire exposed. Reference Fig. 4. If using a mounting post, install the post in the center of the anchor bolts following the mounting post manufacturer's installation instructions.

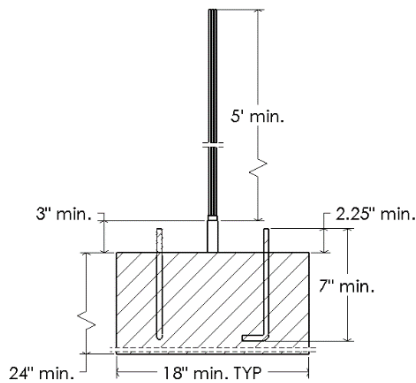


Fig. 4: Concrete Base

Hex nuts and washers are to be placed on the anchor bolts below the kiosk to adjust the vertical alignment, should the concrete pad not be level. Place the kiosk onto the anchor bolts. A gap will be present between the concrete pad and kiosk base. Seal the gap with silicone sealant. Apply silicone per the manufacturer's recommendations. Run the electrical cable through the base or rear entry opening and place the kiosk onto the aligned anchor bolts.

Place the mounting plate onto the anchor bolts inside the base of the kiosk. Use the appropriately sized socket/ratchet to tighten the nuts onto the anchor bolts. Use a ½" wrench to tighten the nuts on the U-bolt inside the pedestal, this will secure the Kiosk to the mounting post.

Strip the insulation from the ends of the 14AWG wires to expose about 1/2 inch of bare wire. Use a flat head screwdriver to open the junction box. Insert the end of the cable through the lower end of the junction box.

- Connect the black (hot) wire to the corresponding hot terminal.
- Connect the white (neutral) wire to the corresponding neutral terminal.
- Connect the green or bare copper (ground) wire to the green ground grounding screw inside the junction box. Tighten the grounding screw with the Phillips head screwdriver.

Close the junction box lid securely over the wires. Align the lid properly and fasten it using the screws provided with the flat head screwdriver. Ensure the lid is tightly closed to prevent any exposure of the wiring. Close the kiosk door and lock with the provided keys.

Power on the payment device and ensure the screen turns on. Follow the Quick Start Guide to activate the device and set up the Merchant Account.